



CT3061, CT3062, CT3063, CT3081, CT3082, CT3083

600V/800V Zero Cross 6-Pin DMC-Isolator®

Phototriac Optocoupler

www.ct-micro.com

Features

- High isolation 5000 VRMS
- Peak Breakdown Voltage
 - 600V – CT3061,3062,3063
 - 800V – CT3081,3082,3083
- Temperature range - 55 °C to 100 °C
- External Creepage ≥ 7.0 mm
- Distance Through Isolation ≥ 0.4 mm
- Clearance Distance ≥ 8.0 mm (M/SLM Type)
- RoHS and REACH Compliance
- Halogen Free Compliance (Optional)
- Regulatory Approvals
 - ✓ UL - UL1577 (E364000)
 - ✓ VDE - EN60747-5-5 (40039590)
 - ✓ CQC – GB4943.1, GB8898 (14001105802)
 - ✓ IEC62368 (FI/41119)

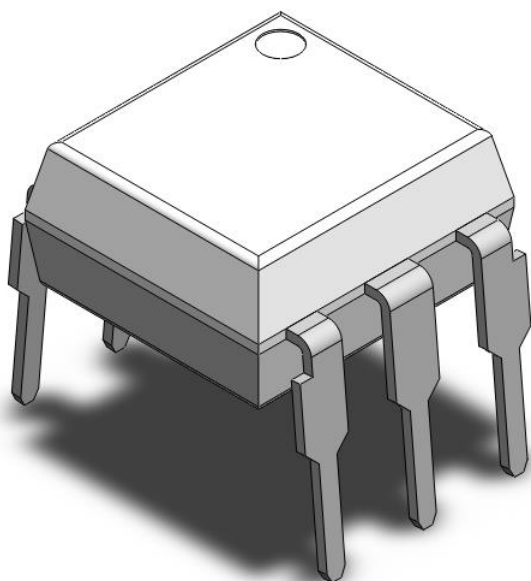
Description

The CT3061, CT3062, CT3063, CT3081, CT3082 and CT3083 series consists of a Zero Cross Photo Triac optically coupled to an Infrared-emitting diode in a 6-lead DIP DMC-Isolator® package with different lead forming options.

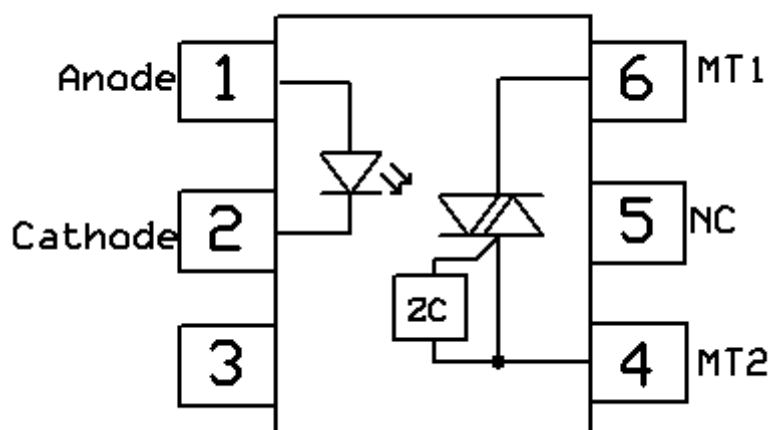
Applications

- Motor Controls
- Lamp ballasts
- Static AC Power Switch
- Solenoid/ Valve Control

Package Outline



Schematic



Note: Different lead forming options available. See package dimension.



CT3061, CT3062, CT3063, CT3081, CT3082, CT3083

600V/800V Zero Cross 6-Pin DMC-Isolator®

Phototriac Optocoupler

www.ct-micro.com

Absolute Maximum Ratings $T_A = 25^\circ\text{C}$, unless otherwise specified

Stresses in excess of the absolute maximum ratings can cause permanent damage to the device. Functional operation of the device is not implied at these or any other conditions in excess of those given in the operational sections of this document. In addition, extended exposure to stresses above the recommended operating conditions may affect device reliability. The absolute maximum ratings are stress ratings only.

Symbol	Parameters		Ratings	Units	Notes
V _{ISO}	Isolation voltage		5000	V _{RMS}	
T _{OPR}	Operating temperature		-55 ~ +100	°C	
T _{STG}	Storage temperature		-55 ~ +150	°C	
T _{SOL}	Soldering temperature		260	°C	
Emitter					
I _F	Forward current		60	mA	
I _{F(TRANS)}	Peak transient current (≤1μs P.W,300pps)		1	A	
V _R	Reverse voltage		6	V	
P _D	Power dissipation		100	mW	
Detector					
P _D	Power dissipation		300	mW	
V _{DRM}	Off-State Output Terminal Voltage	CT3061,3062,3063	600	V	
		CT3081,3082,3083	800	V	
I _{TM}	RMS on-state current		100	mA	
I _{TSM}	Peak Repetitive Surge Current		1	A	
T _J	Junction temperature		<110	°C	



CT3061, CT3062, CT3063, CT3081, CT3082, CT3083

600V/800V Zero Cross 6-Pin DMC-Isolator®

Phototriac Optocoupler

www.ct-micro.com

Electrical Characteristics $T_A = 25^\circ\text{C}$, unless otherwise specified

Emitter Characteristics

Symbol	Parameters	Test Conditions	Min	Typ	Max	Units	Notes
V_F	Forward voltage	$I_F = 10\text{mA}$	-	-	1.5	V	
I_R	Reverse Current	$V_R = 6\text{V}$	-	-	5	μA	
C_{IN}	Input Capacitance	$f = 1\text{MHz}$	-	45	-	pF	

Detector Characteristics

Symbol	Parameters		Test Conditions	Min	Typ	Max	Units	Notes
I_{DRM1}	Peak Blocking Current	CT3061,62,63 CT3081,82,83	$I_F = 0\text{mA}$, $V_{DRM} = \text{Rated } V_{DRM}$	-	-	500	nA	
I_{DRM2}	Inhibit Leakage Current		$I_F = \text{Rated } I_{FT}$, $V_{DRM} = \text{Rated } V_{DRM}$	-	-	500	μA	
V_{INH}	Inhibit Voltage		$I_F = \text{Rated } I_{FT}$	-	-	20	V	
V_{TM}	Peak On-State Voltage		$I_F = \text{Rated } I_{FT}$, $I_{TM} = 100\text{mA}$	-	-	3	V	
dv/dt	Critical Rate of Rise off-State Voltage	CT3061,62,63	$V_{PEAK} = \text{Rated } V_{DRM}$	1000	-	-	V/ μs	
		CT3081,82,83		600	-	-		

Transfer Characteristics

Symbol	Parameters		Test Conditions	Min	Typ	Max	Units	Notes
I_{FT}	Input	CT3061, CT3081	Terminal Voltage = 3V $I_{TM} = 100\text{mA}$	-	-	15	mA	
	Trigger	CT3062, CT3082		-	-	10		
	Current	CT3063, CT3083		-	-	5		
I_H	Holding Current		Terminal Voltage from "ON" to "OFF" "ON" state $I_F = 0\text{mA}$	-	380	-	μA	
R_{IO}	Isolation Resistance		$V_{IO} = 500\text{V}_{DC}$	1×10^{11}	-	-	Ω	
C_{IO}	Isolation Capacitance		$f = 1\text{MHz}$	-	0.25	-	pF	



CT3061, CT3062, CT3063, CT3081, CT3082, CT3083

600V/800V Zero Cross 6-Pin DMC-Isolator[®]

Phototriac Optocoupler

www.ct-micro.com

Typical Characteristic Curves $T_A = 25^\circ\text{C}$, unless otherwise specified

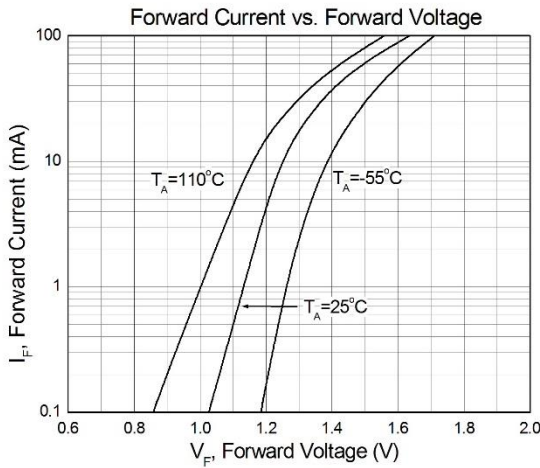


Figure 1

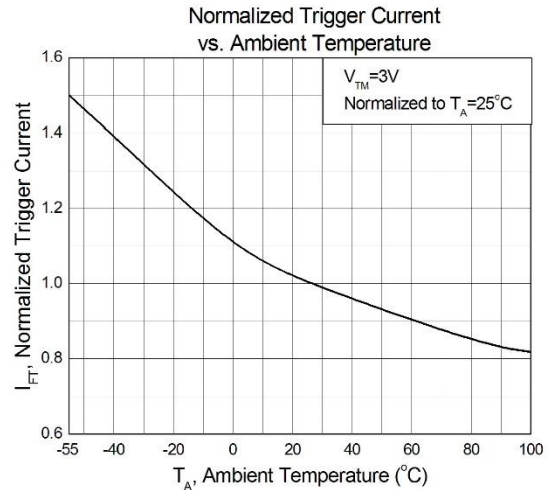


Figure 2

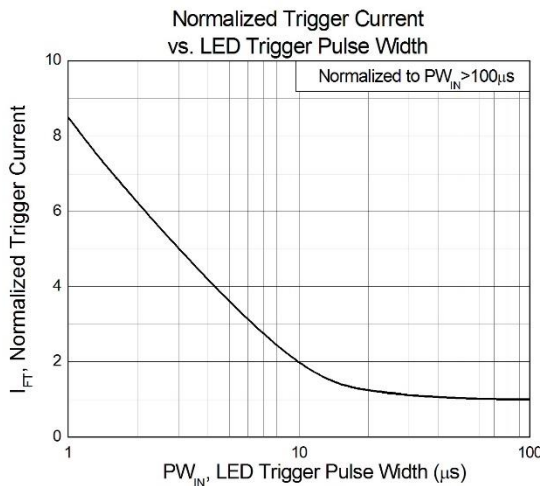


Figure 3

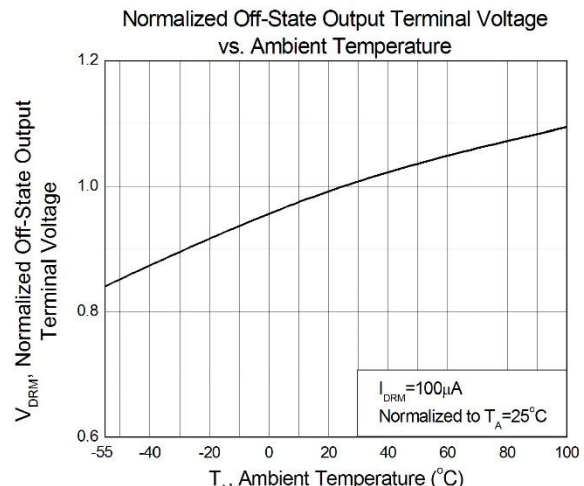


Figure 4

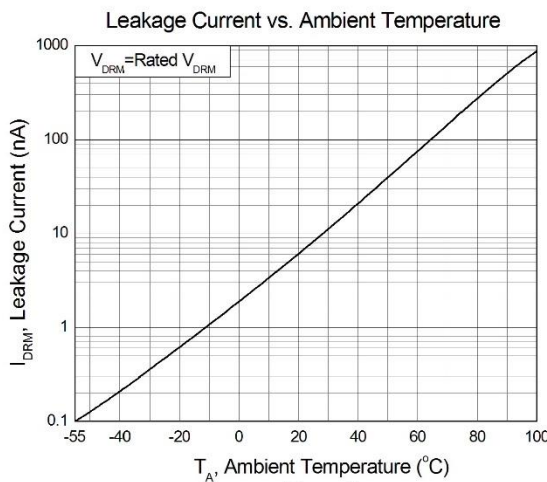


Figure 5

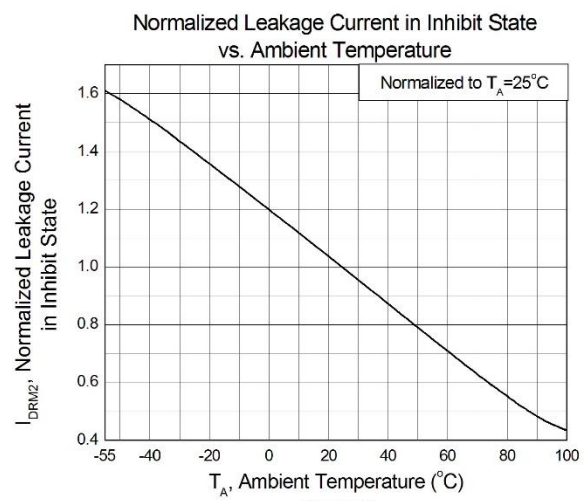


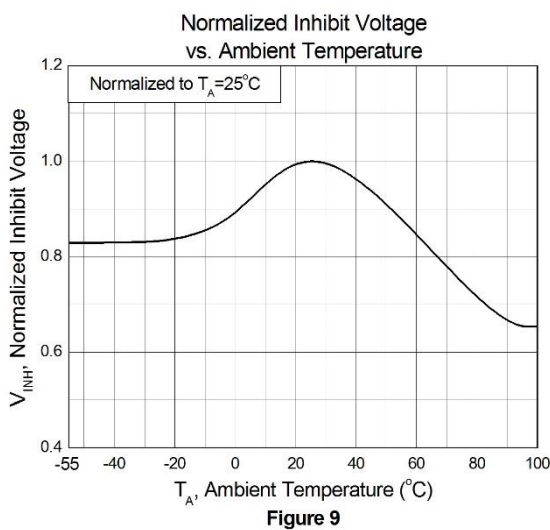
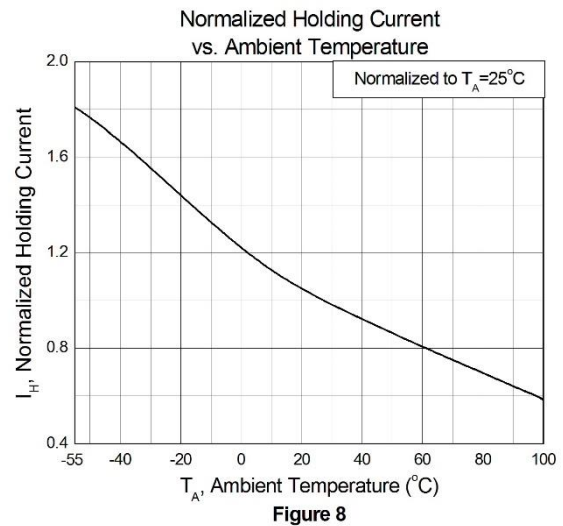
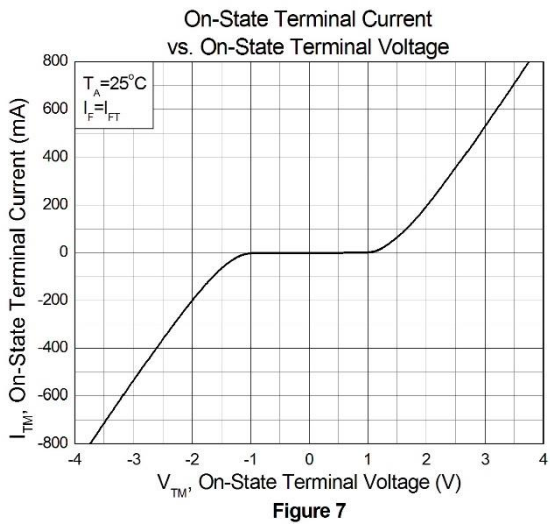
Figure 6



CT3061, CT3062, CT3063, CT3081, CT3082, CT3083 600V/800V Zero Cross 6-Pin DMC-Isolator® Phototriac Optocoupler

www.ct-micro.com

Typical Characteristic Curves $T_A = 25^\circ\text{C}$, unless otherwise specified (Continued)





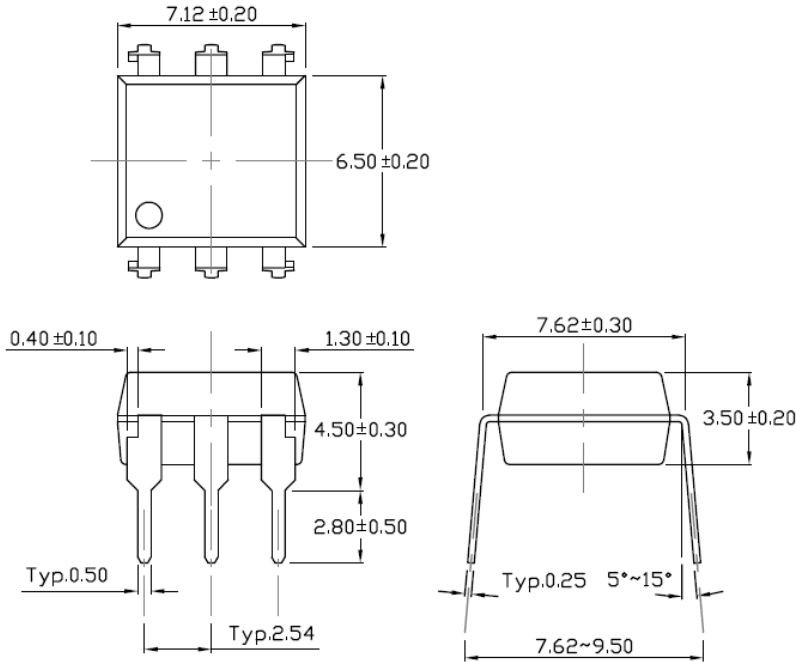
CT3061, CT3062, CT3063, CT3081, CT3082, CT3083

600V/800V Zero Cross 6-Pin DMC-Isolator[®]

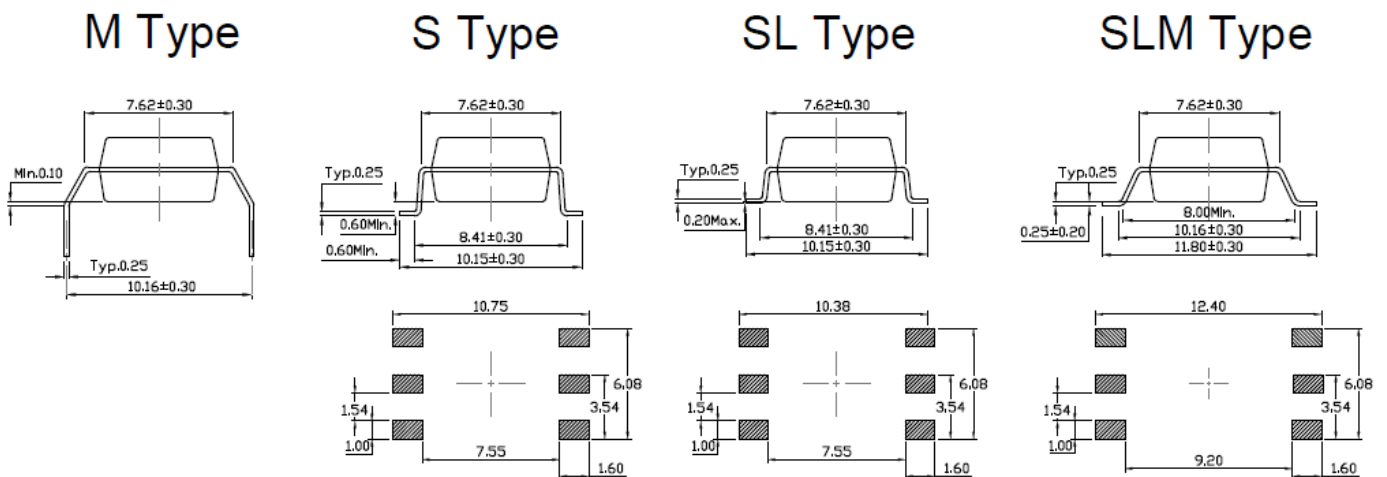
Phototriac Optocoupler

www.ct-micro.com

Package Dimension *Dimensions in mm unless otherwise stated*



Forming Option *Dimensions in mm unless otherwise stated*





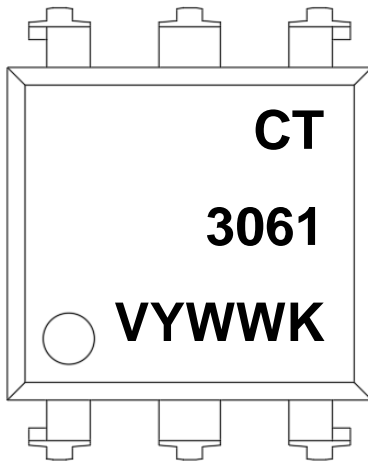
CT3061, CT3062, CT3063, CT3081, CT3082, CT3083

600V/800V Zero Cross 6-Pin DMC-Isolator®

Phototriac Optocoupler

www.ct-micro.com

Marking Information



Note:

- CT : Denotes “CT Micro”
- 3061 : Part Number
- V : VDE Safety Mark Option (Blank or V)
- Y : One Digit Year Code
- WW : Two Digit Work Week
- K : Manufacturing Code

Ordering Information

CT306X(V)(Y)(Z)-G, CT308X(V)(Y)(Z)-G

- CT = Denotes “CT Micro”
- 3061 = Part Number
- X = Part No. (CT306X:1,2,3), (CT308X : 1,2,3)
- V = VDE Safety Mark Option (Blank or V)
- Y = Lead Form Option (Blank, S, SL, M or SLM)
- Z = Tape and Reel Option (Blank, T1 or T2)
- G = Material Option (G: Halogen Free, Blank: Non-Halogen Free)

Option	Description	Quantity
None	Standard 6 Pin Dip	50Units/Tube
M	Gullwing (400mil) Lead Forming	50Units/Tube
S(T1)	Surface Mount Lead Forming – With Option 1 Taping	1000 Units/Reel
S(T2)	Surface Mount Lead Forming – With Option 2 Taping	1000 Units/Reel
SL(T1)	Surface Mount (Low Profile) Lead Forming– With Option 1 Taping	1000 Units/Reel
SL(T2)	Surface Mount (Low Profile) Lead Forming – With Option 2 Taping	1000 Units/Reel
SLM(T1)	Surface Mount (Gullwing) Lead Forming– With Option 1 Taping	1000 Units/Reel
SLM(T2)	Surface Mount (Gullwing) Lead Forming – With Option 2 Taping	1000 Units/Reel

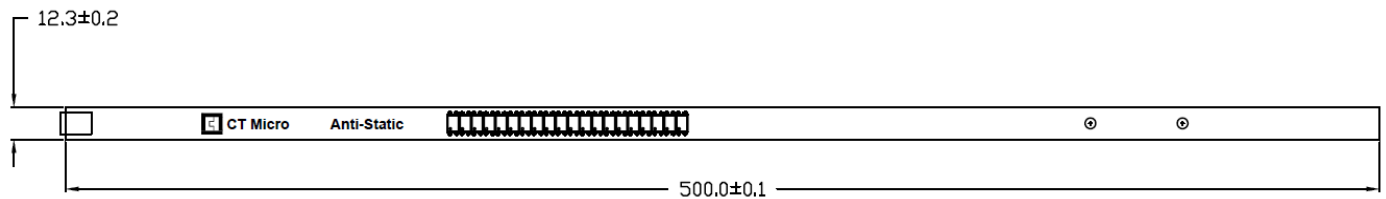


CT3061, CT3062, CT3063, CT3081, CT3082, CT3083 600V/800V Zero Cross 6-Pin DMC-Isolator® Phototriac Optocoupler

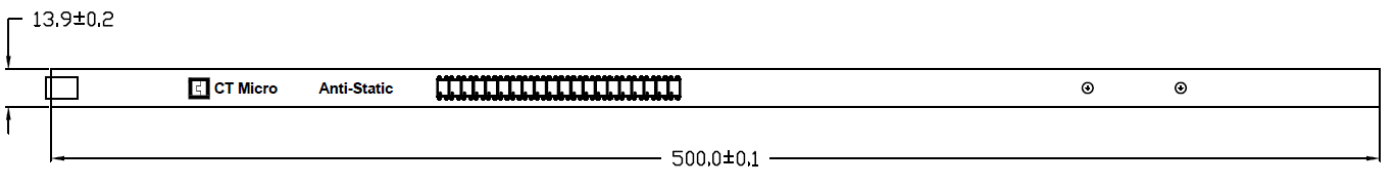
www.ct-micro.com

Carrier Specifications *Dimensions in mm unless otherwise stated*

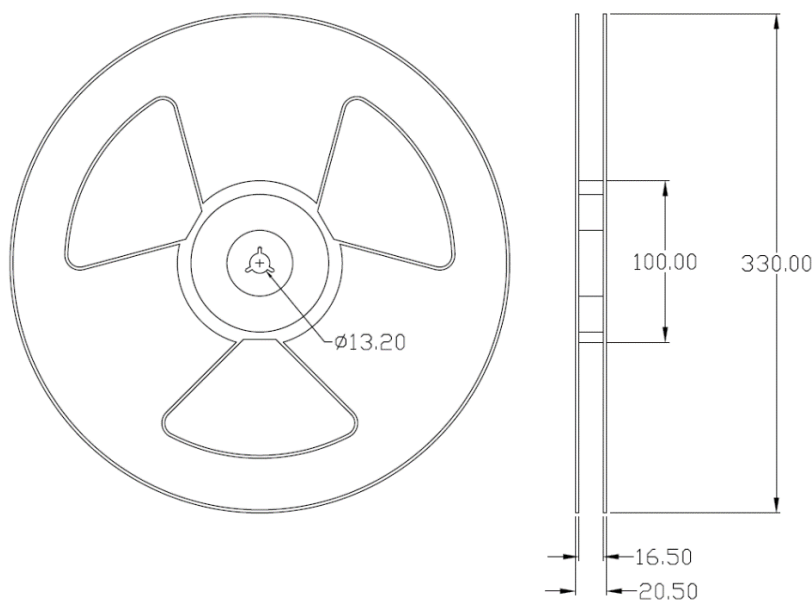
Tube Option Standard DIP



Tube Option M Type



Reel Dimension *Dimensions in mm unless otherwise stated*





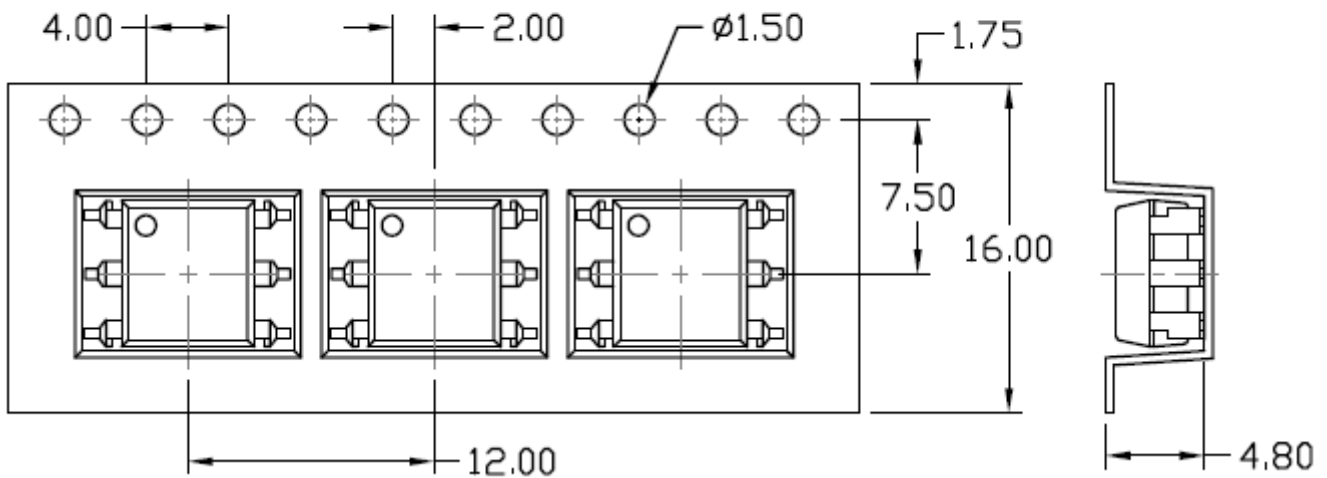
CT3061, CT3062, CT3063, CT3081, CT3082, CT3083 600V/800V Zero Cross 6-Pin DMC-Isolator® Phototriac Optocoupler

www.ct-micro.com

Carrier Tape Specifications *Dimensions in mm unless otherwise stated*

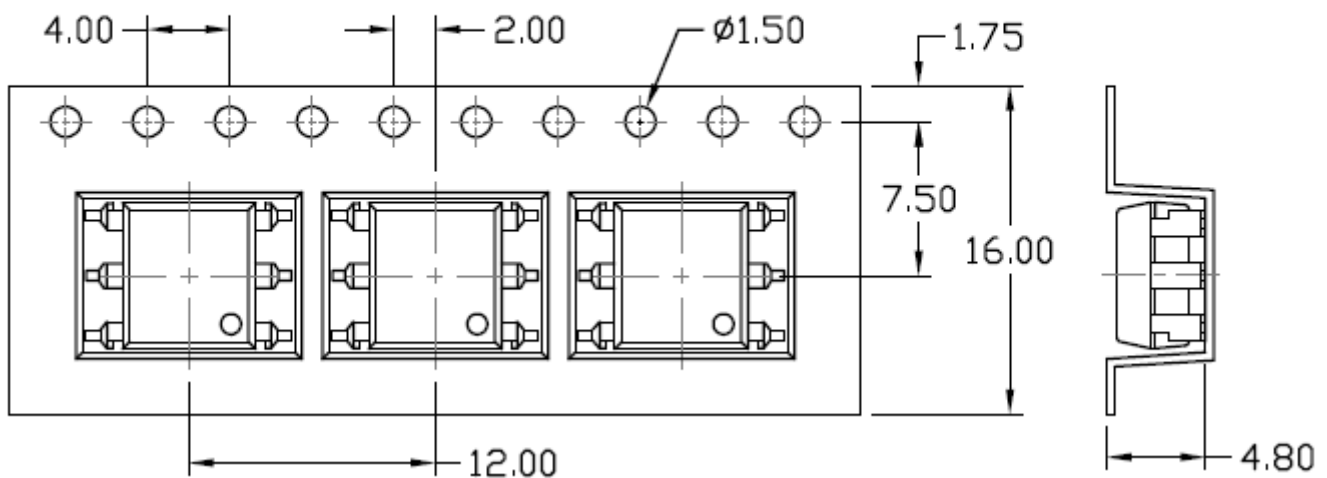
Option S(T1) & SL(T1)

Input Direction
→



Option S(T2) & SL(T2)

Input Direction
→

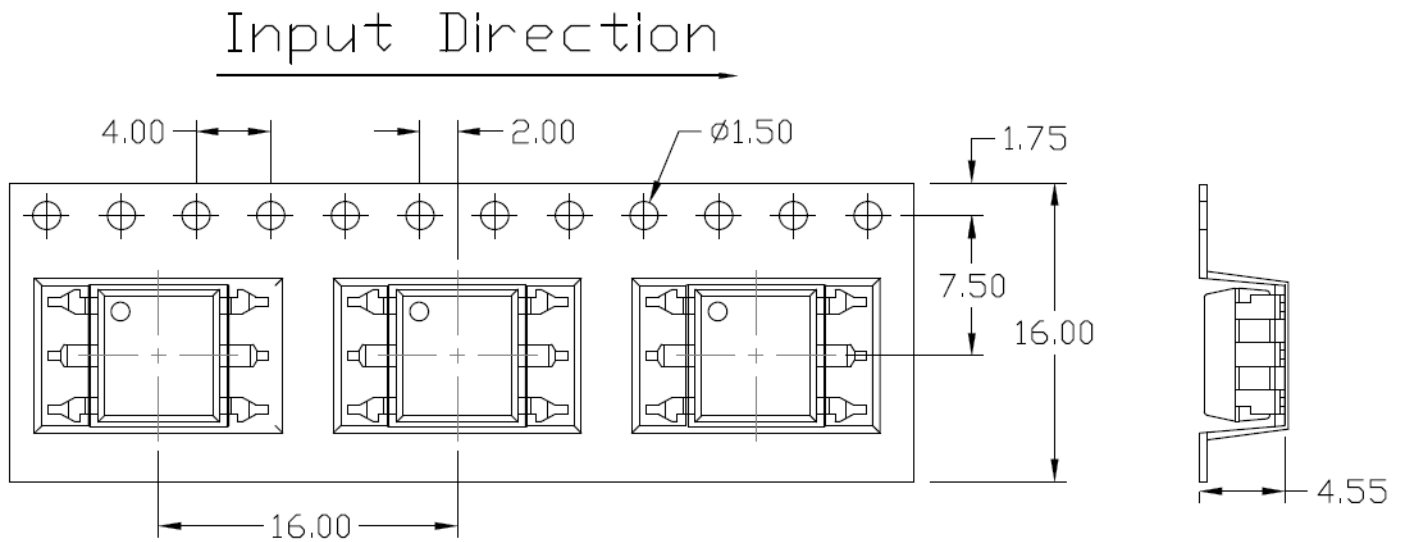




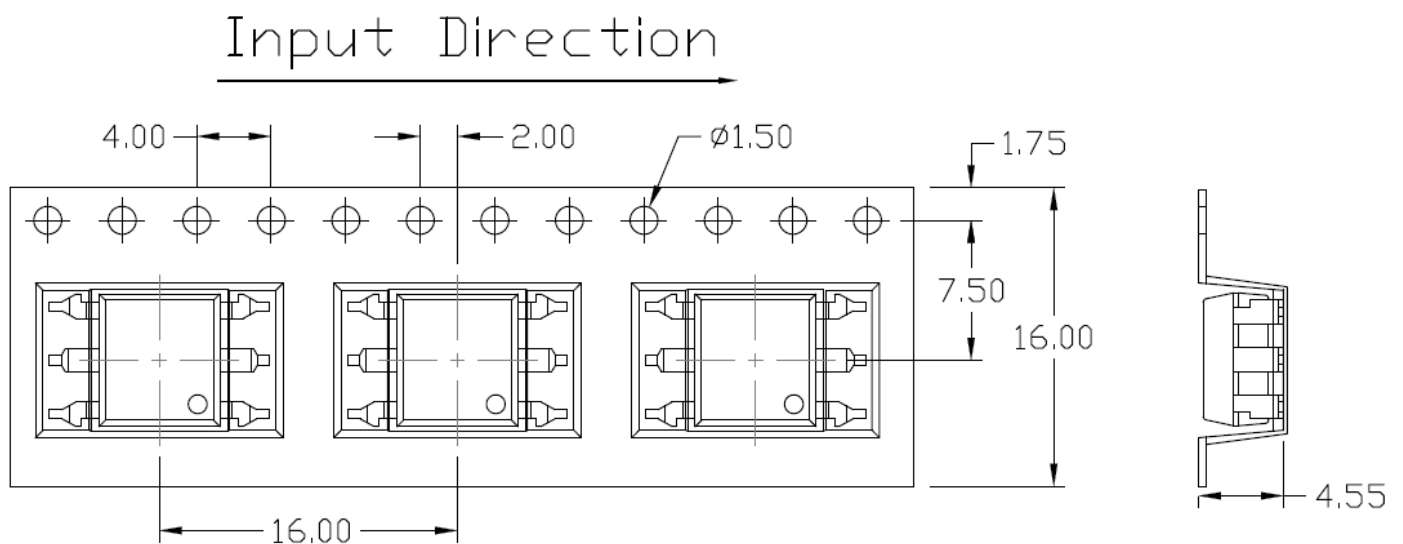
CT3061, CT3062, CT3063, CT3081, CT3082, CT3083
600V/800V Zero Cross 6-Pin DMC-Isolator®
Phototriac Optocoupler

www.ct-micro.com

Option SLM(T1)



Option SLM(T2)





CT3061, CT3062, CT3063, CT3081, CT3082, CT3083 600V/800V Zero Cross 6-Pin DMC-Isolator® Phototriac Optocoupler

www.ct-micro.com

Solderability Specification (follow the JEDEC standard JESD22-B102)

Reflow Soldering: Immersed surface, other than the end of pin as cut-surface, must be covered by solder.

Solder-Bath: More than 95% of the electrode must be covered with solder.

Wave soldering (follow the JEDEC standard JESD22-A111)

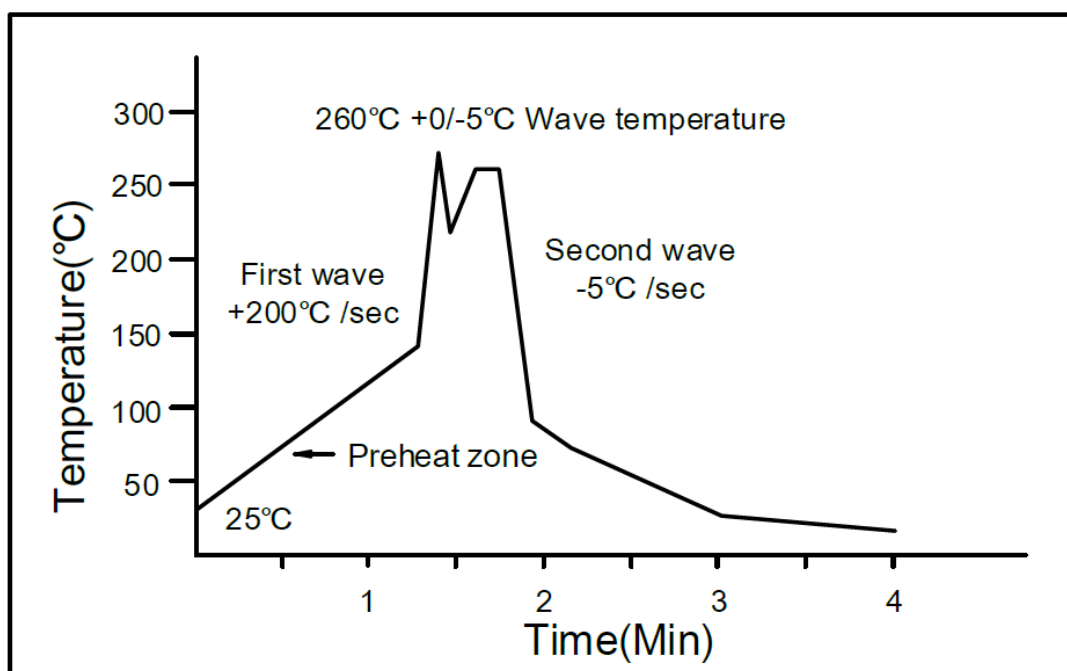
One time soldering is recommended within the condition of temperature.

Temperature: $260 \pm 0/-5^\circ\text{C}$.

Time: 10 sec.

Preheat temperature: 25 to 140°C .

Preheat time: 30 to 80 sec.



Iron Soldering (follow the standard MIL-STD 202G, Method 210F)

Allow single lead soldering in every single process.

One time soldering is recommended.

Temperature: $350 \pm 10^\circ\text{C}$

Time: 5 sec max.



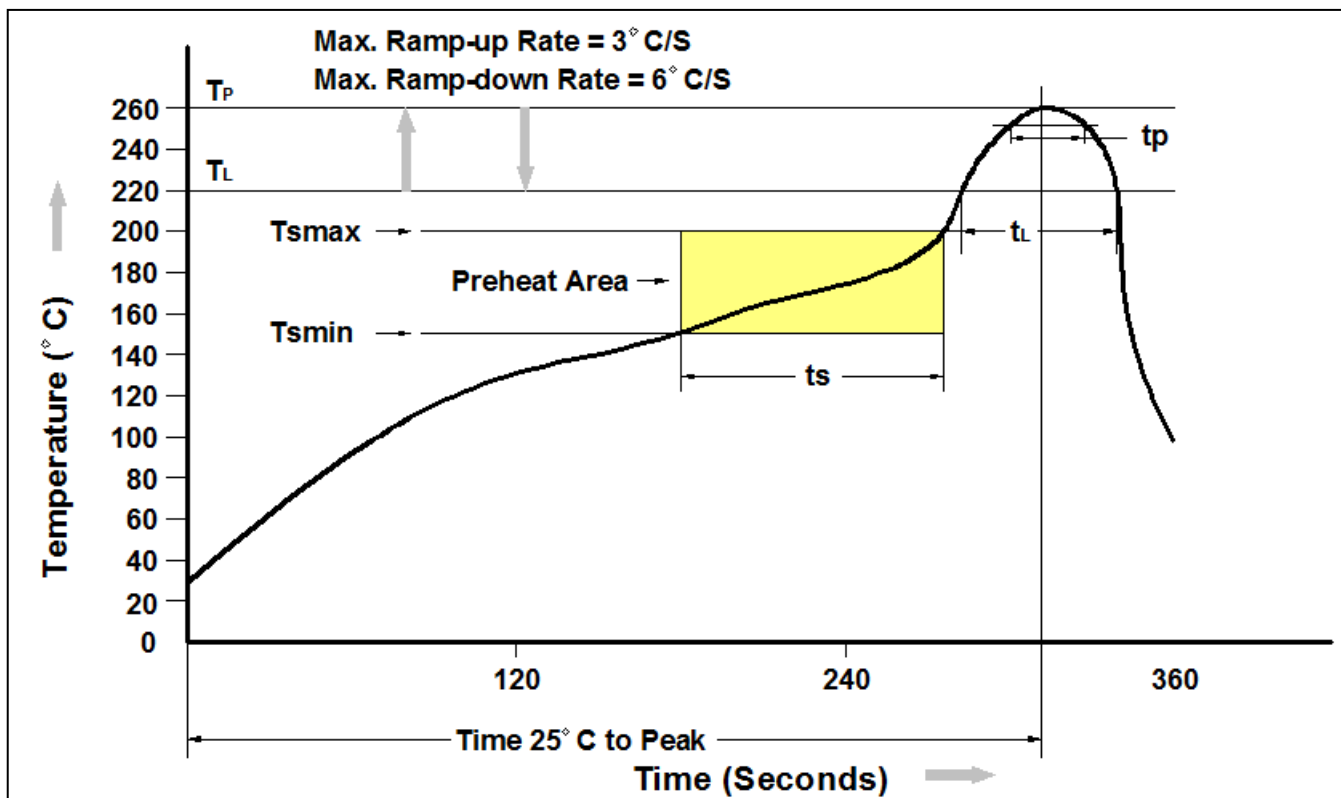
CT3061, CT3062, CT3063, CT3081, CT3082, CT3083

600V/800V Zero Cross 6-Pin DMC-Isolator®

Phototriac Optocoupler

www.ct-micro.com

Reflow Profile (follow the JEDEC standard J-STD-020)



Profile Feature	Pb-Free Assembly Profile
Temperature Min. (T _{min})	150°C
Temperature Max. (T _{max})	200°C
Time (t _s) from (T _{min} to T _{max})	60-120 seconds
Ramp-up Rate (t _L to t _P)	3°C/second max.
Liquidous Temperature (T _L)	217°C
Time (t _L) Maintained Above (T _L)	60 – 150 seconds
Peak Body Package Temperature	260°C +0°C / -5°C
Time (t _P) within 5°C of 260°C	30 seconds
Ramp-down Rate (T _P to T _L)	6°C/second max
Time 25°C to Peak Temperature	8 minutes max.



CT3061, CT3062, CT3063, CT3081, CT3082, CT3083
600V/800V Zero Cross 6-Pin DMC-Isolator®
Phototriac Optocoupler

www.ct-micro.com

DISCLAIMER

DMC-Isolator® IS A TRADEMARK OF CT MICRO INTERNATIONAL CORPORATION AND/OR ITS SUBSIDIARIES. CT MICRO OWNS THE RIGHTS TO A NUMBER OF PATENTS, TRADEMARKS, COPYRIGHTS AND OTHER INTELLECTUAL PROPERTY.

CT MICRO RESERVES THE RIGHT TO MAKE CHANGES WITHOUT FURTHER NOTICE TO ANY PRODUCTS HEREIN TO IMPROVE RELIABILITY, FUNCTION OR DESIGN. CT MICRO DOES NOT ASSUME ANY LIABILITY ARISING OUT OF THE APPLICATION OR USE OF ANY PRODUCT OR CIRCUIT DESCRIBED HEREIN; NEITHER DOES IT CONVEY ANY LICENSE UNDER ITS PATENT RIGHTS, NOR THE RIGHTS OF OTHERS.

DISCOLORATION MIGHT OCCUR ON THE PACKAGE SURFACE AFTER SOLDERING, REFLOW OR LONG TERM USE. THIS DOES NOT IMPACT THE PRODUCT PERFORMANCE NOR THE PRODUCT RELIABILITY.

CT MICRO ARE NOT AUTHORIZED FOR USE AS CRITICAL COMPONENTS IN LIFE SUPPORT DEVICES OR SYSTEMS WITHOUT EXPRESS WRITTEN APPROVAL OF CT MICRO INTERNATIONAL CORPORATION.

- 1. Life support devices or systems are devices or systems which, (a) are intended for surgical implant into the body, or (b) support or sustain life, or (c) whose failure to perform when properly used in accordance with instruction for use provided in the labelling, can be reasonably expected to result in significant injury to the user.*
- 2. A critical component is any component of a life support device or system whose failure to perform can be reasonably expected to cause the failure of the life support device or system, or to affect its safety or effectiveness*