



## Features

- High isolation 5000 VRMS
- Peak Breakdown Voltage
  - 250V – CT3031,CT3032,CT3033
  - 400V – CT3041,CT3042,CT3043
- Operating Temperature range - 55 °C to 100 °C
- External Creepage  $\geq$  7.4mm
- Distance Through Isolation  $\geq$  0.4mm
- Clearance Distance  $\geq$  7.5mm ( S/SL Type)
- Clearance Distance  $\geq$  8.0mm ( M Type)
- RoHS and REACH Compliance
- Halogen Free Compliance (Optional)
- MSL class 1
- Regulatory Approvals
  - ✓ UL - UL1577 (E364000)
  - ✓ VDE - EN60747-5-5(VDE0884-5)
  - ✓ CQC – GB4943.1, GB8898
  - ✓ IEC60065, IEC60950

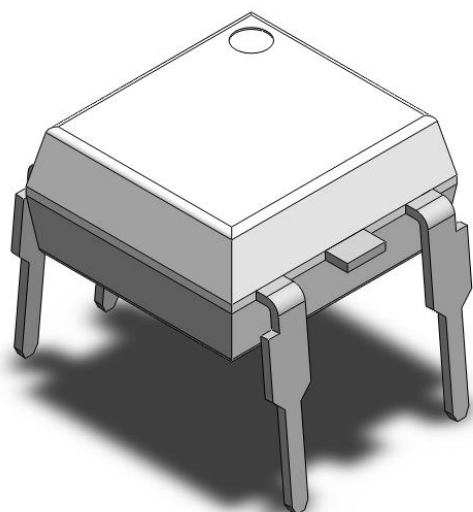
## Description

The CT3031-5L, CT3032-5L, CT3033-5L, CT3041-5L, CT3042-5L and CT3043-5L consists of a Zero Cross Photo Triac optically coupled to an Infrared-emitting diode in a 5-Pin DIP package DMC-Isolator® with different lead forming options.

## Applications

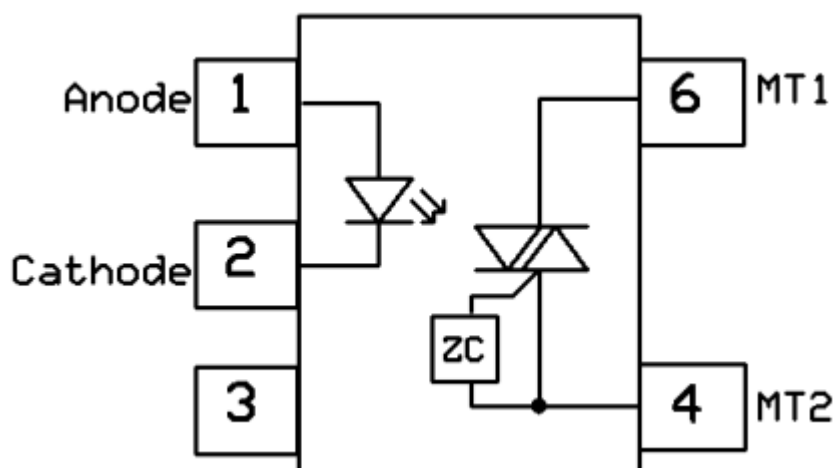
- Motor Controls
- Lamp ballasts
- Static AC Power Switch
- Solenoid/ Valve Control

## Package Outline



Note: Different lead forming options available. See package dimension.

## Schematic





CT3031-5L, CT3032-5L, CT3033-5L  
CT3041-5L, CT3042-5L, CT3043-5L  
250V/400V Zero Cross 5-Pin DMC-Isolator®  
Phototriac Optocoupler

**Absolute Maximum Ratings**  $T_A = 25^{\circ}\text{C}$ , unless otherwise specified

Stresses in excess of the absolute maximum ratings can cause permanent damage to the device. Functional operation of the device is not implied at these or any other conditions in excess of those given in the operational sections of this document. In addition, extended exposure to stresses above the recommended operating conditions may affect device reliability. The absolute maximum ratings are stress ratings only.

Symbol	Parameters	Ratings	Units	Notes
V <sub>ISO</sub>	Isolation voltage (AC, 1 minute, 40 ~ 60% R.H.)	5000	V <sub>RMS</sub>	
T <sub>OPR</sub>	Operating temperature	-55 ~ +100	°C	
T <sub>STG</sub>	Storage temperature	-55 ~ +150	°C	
T <sub>SOL</sub>	Soldering temperature (For 10 seconds)	260	°C	
<b>Emitter</b>				
I <sub>F</sub>	Forward current	60	mA	
I <sub>F(TRANS)</sub>	Peak transient current (≤1μs P.W,300pps)	1	A	
V <sub>R</sub>	Reverse voltage	6	V	
P <sub>D</sub>	Power dissipation	100	mW	
<b>Detector</b>				
P <sub>D</sub>	Power dissipation	300	mW	
V <sub>DRM</sub>	Off-State Output Terminal Voltage	CT3031,CT3032,CT3033	250	V
		CT3041,CT3042,CT3043	400	V
I <sub>TSM</sub>	Peak Repetitive Surge Current	1	A	



www.ct-micro.com

CT3031-5L, CT3032-5L, CT3033-5L  
 CT3041-5L, CT3042-5L, CT3043-5L  
 250V/400V Zero Cross 5-Pin DMC-Isolator®  
 Phototriac Optocoupler

**Electrical Characteristics**  $T_A = 25^\circ\text{C}$  (unless otherwise specified)

**Emitter Characteristics**

Symbol	Parameters	Test Conditions	Min	Typ	Max	Units	Notes
$V_F$	Forward voltage	$I_F = 10\text{mA}$	-	-	1.5	V	
$I_R$	Reverse Current	$V_R = 6\text{V}$	-	-	5	$\mu\text{A}$	
$C_{IN}$	Input Capacitance	$f = 1\text{MHz}$	-	45	-	pF	

**Detector Characteristics**

Symbol	Parameters	Test Conditions	Min	Typ	Max	Units	Notes
$I_{DRM1}$	Peak Blocking Current	$I_F = 0\text{mA}$ , $V_{DRM} = \text{Rated } V_{DRM}$	-	-	100	nA	
$I_{DRM2}$	Inhibit Leakage Current	$I_F = \text{Rated } I_{FT}$ , $V_{DRM} = \text{Rated } V_{DRM}$	-	-	500	$\mu\text{A}$	
$V_{INH}$	Inhibit Voltage	$I_F = \text{Rated } I_{FT}$	-	-	20	V	
$V_{TM}$	Peak On-State Voltage	$I_F = \text{Rated } I_{FT}$ , $I_{TM} = 100\text{mA}$	-	-	3	V	
dv/dt	Critical Rate of Rise off-State Voltage	$V_{PEAK} = \text{Rated } V_{DRM}$	1000	-	-	V/ $\mu\text{s}$	

**Transfer Characteristics**

Symbol	Parameters		Test Conditions	Min	Typ	Max	Units	Notes
$I_{FT}$	Input Trigger Current	CT3031, CT3041	Terminal Voltage = 3V $I_{TM} = 100\text{mA}$	-	-	15	mA	
		CT3032, CT3042		-	-	10		
		CT3033, CT3043		-	-	5		
$I_H$	Holding Current			-	270	-	$\mu\text{A}$	
$R_{IO}$	Isolation Resistance		$V_{IO} = 500\text{V}_{DC}$	$1 \times 10^{11}$	-	-	$\Omega$	
$C_{IO}$	Isolation Capacitance		$f = 1\text{MHz}$	-	0.25	-	pF	



Typical Characteristic Curves  $T_A = 25^\circ\text{C}$ , unless otherwise specified (Continued)

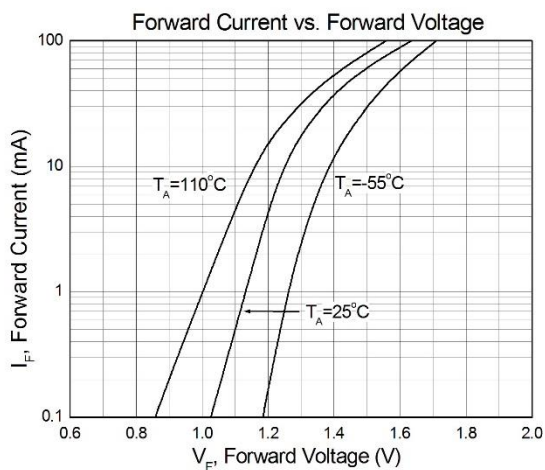


Figure 1

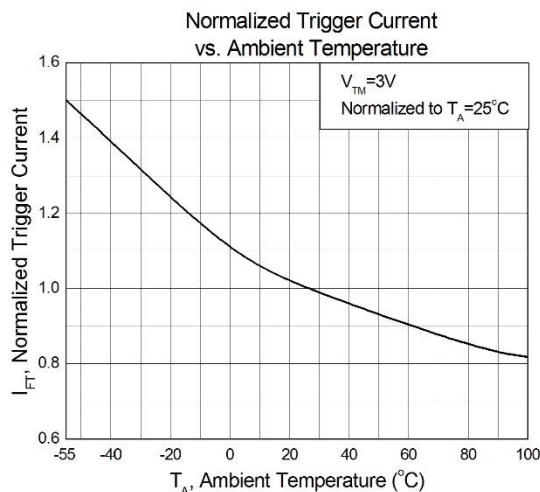


Figure 2

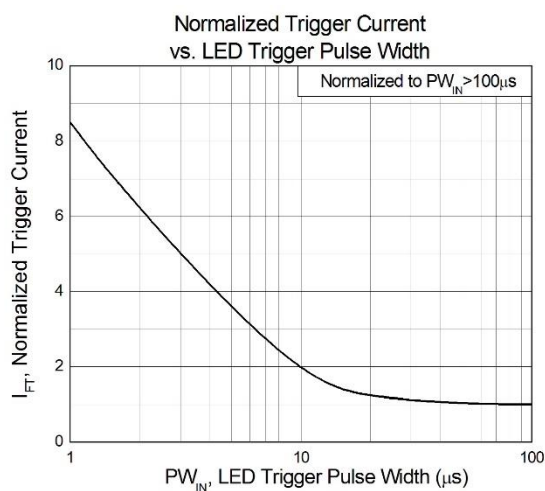


Figure 3

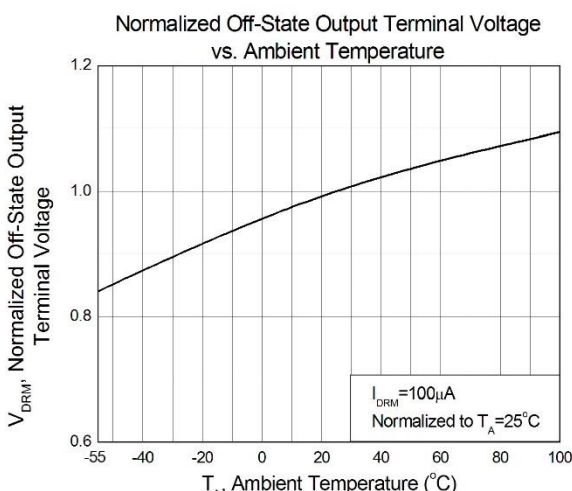


Figure 4

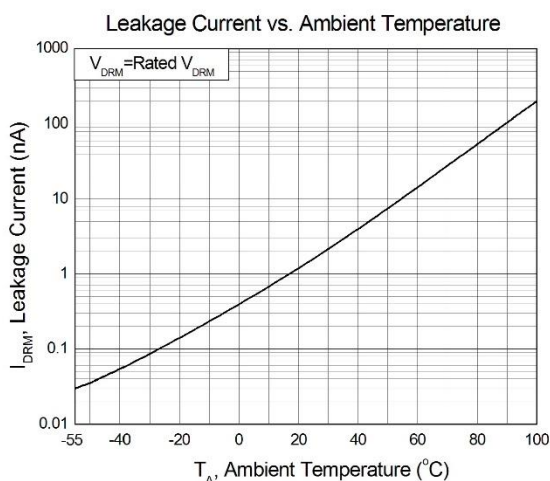


Figure 5

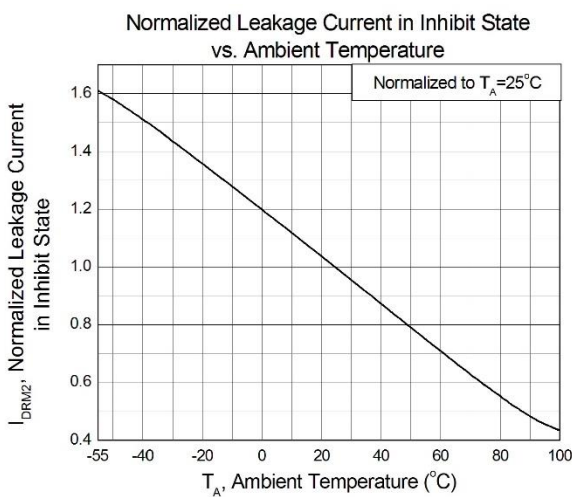
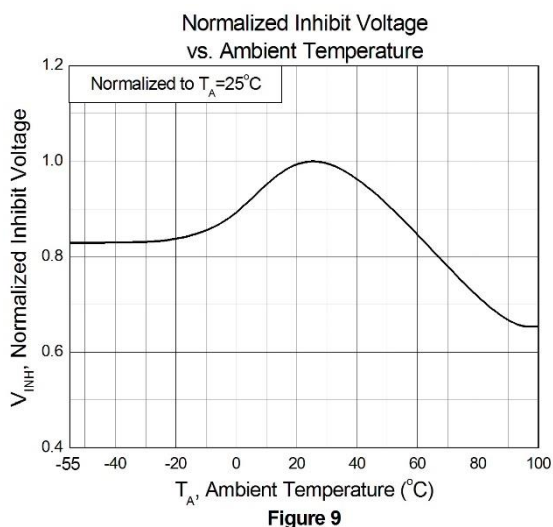
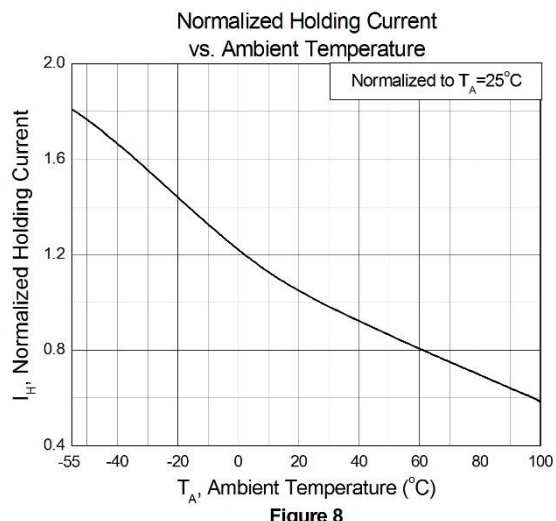
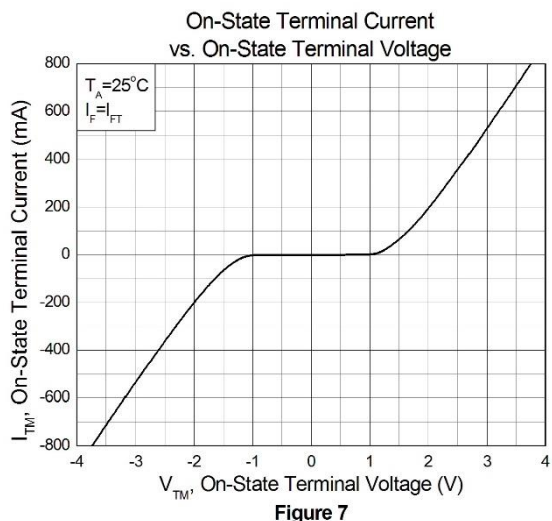


Figure 6



### Typical Characteristic Curves $T_A = 25^\circ\text{C}$ , unless otherwise specified

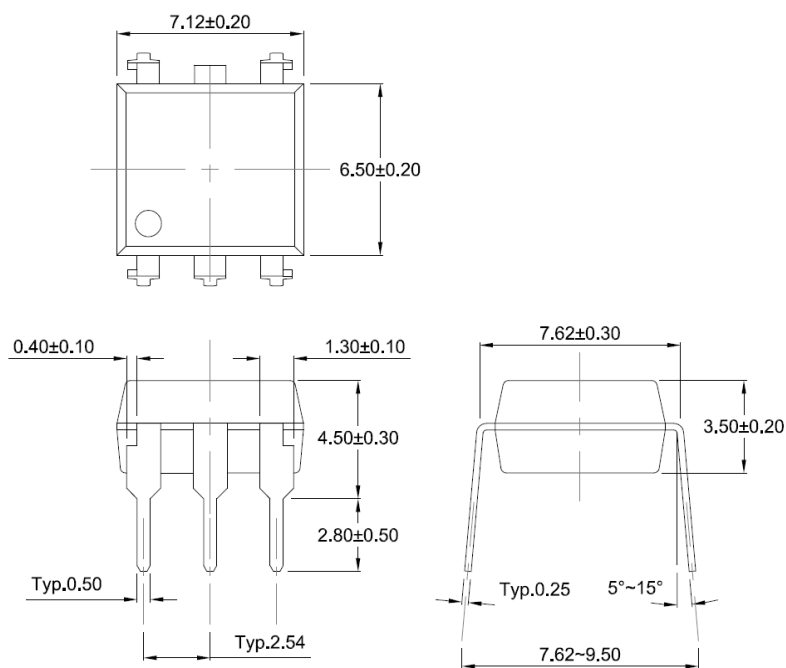




www.ct-micro.com

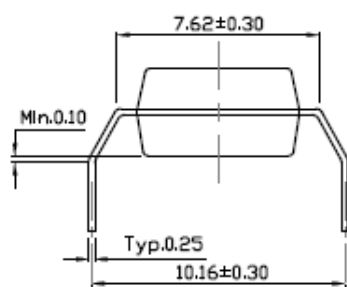
# CT3031-5L, CT3032-5L, CT3033-5L CT3041-5L, CT3042-5L, CT3043-5L 250V/400V Zero Cross 5-Pin DMC-Isolator® Phototriac Optocoupler

## Package Dimension *Dimensions in mm unless otherwise stated*

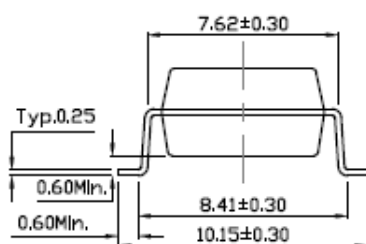


## Forming Option *Dimensions in mm unless otherwise stated*

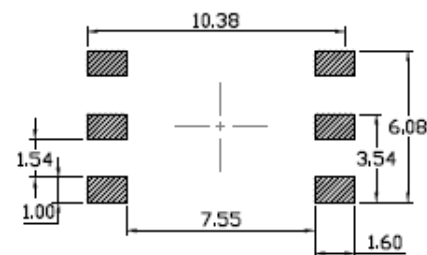
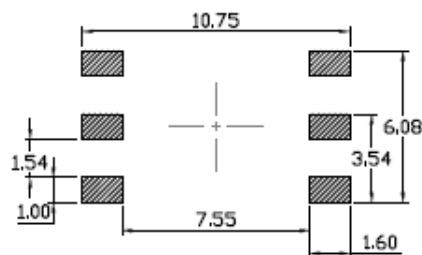
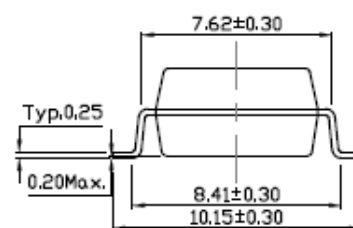
### M Type



### S Type



### SL Type

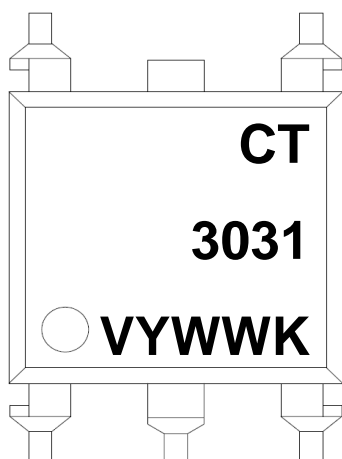




www.ct-micro.com

CT3031-5L, CT3032-5L, CT3033-5L  
CT3041-5L, CT3042-5L, CT3043-5L  
250V/400V Zero Cross 5-Pin DMC-Isolator®  
Phototriac Optocoupler

### Marking Information



Note:

- CT : Denotes “CT Micro”
- 3031 : Part Number
- X : CTR Rank Option (Blank, A or B)
- V : VDE Safety Mark Option (Blank or V)
- Y : One Digit Year Code
- WW : Two Digit Work Week
- K : Manufacturing Code

### Ordering Information

CT303X(V)(Y)(Z)-5L, CT304X(V)(Y)(Z)-5L

- CT = Denotes “CT Micro”
- 303X = Part No. (CT303X:0,1,2), (CT304X : 0,1,2,3)
- V = VDE Safety Mark Option (Blank or V)
- Y = Lead Form Option (Blank, S, SL or M)
- Z = Tape and Reel Option (Blank, T1, T2, T3 or T4)
- 5L = 5-Lead DIP Package
- G = Material Option (G: Halogen Free, Blank: Non-Halogen Free)

<b>Option</b>	<b>Description</b>	<b>Quantity</b>
None	Standard 6 Pin Dip	50Units/Tube
M	Gullwing (400mil) Lead Forming	50Units/Tube
S(T1)	Surface Mount Lead Forming – With Option 1 Taping	1000 Units/Reel
S(T2)	Surface Mount Lead Forming – With Option 2 Taping	1000 Units/Reel
SL(T1)	Surface Mount (Low Profile) Lead Forming – With Option 1 Taping	1000 Units/Reel
SL(T2)	Surface Mount (Low Profile) Lead Forming – With Option 2 Taping	1000 Units/Reel

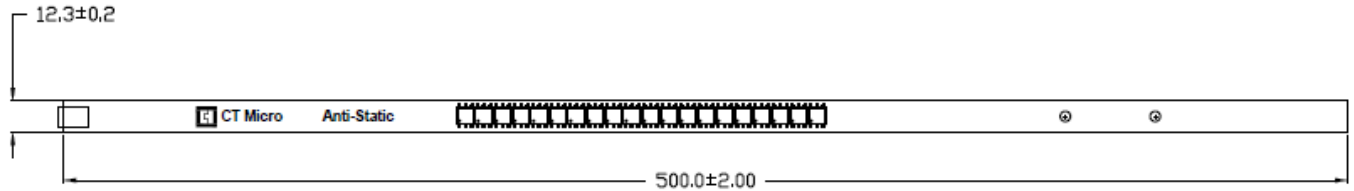


www.ct-micro.com

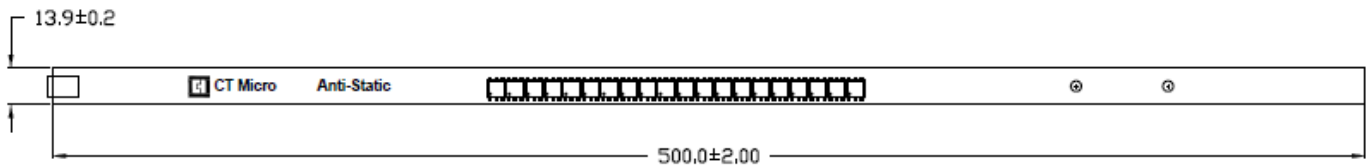
CT3031-5L, CT3032-5L, CT3033-5L  
CT3041-5L, CT3042-5L, CT3043-5L  
250V/400V Zero Cross 5-Pin DMC-Isolator®  
Phototriac Optocoupler

**Carrier Specifications** *Dimensions in mm unless otherwise stated*

**Tube Option Standard DIP**

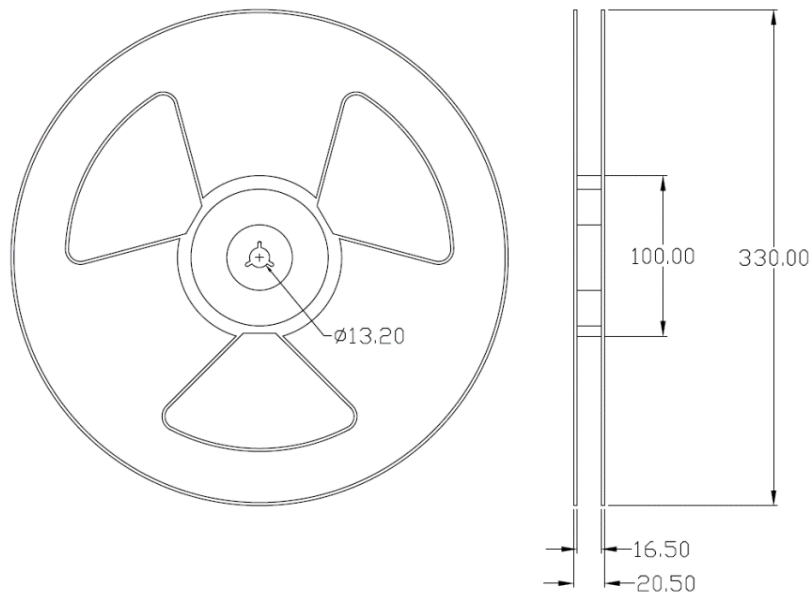


**Tube Option M Type**



**Reel Dimension** *All dimensions are in mm, unless otherwise stated*

**Option S(T1/T2) & SL(T1/T2)**

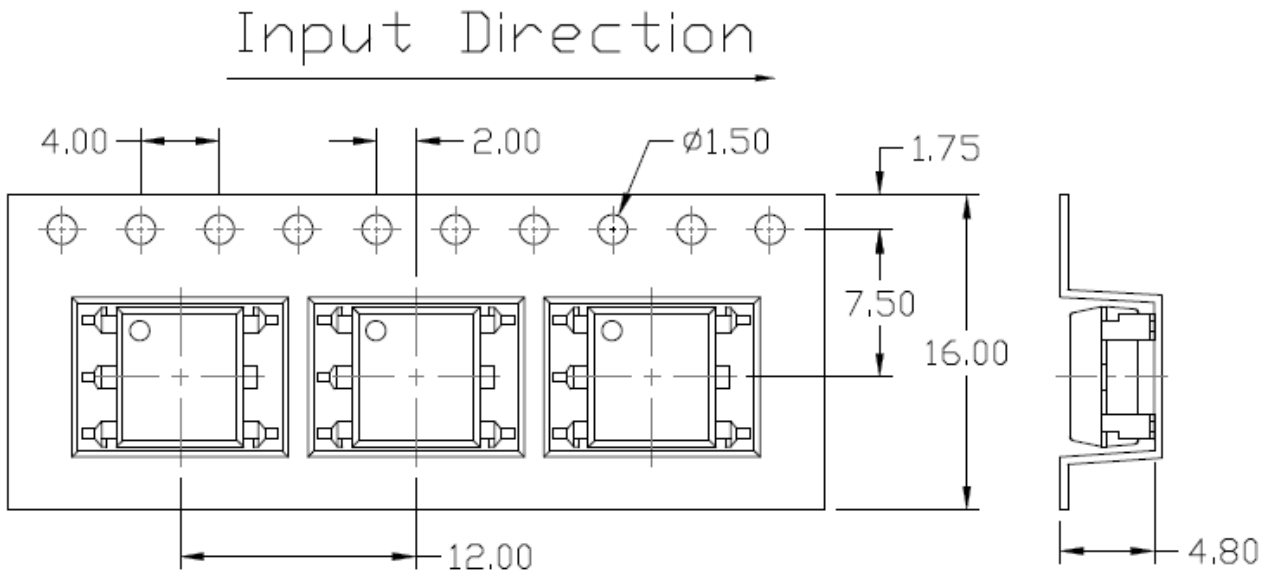




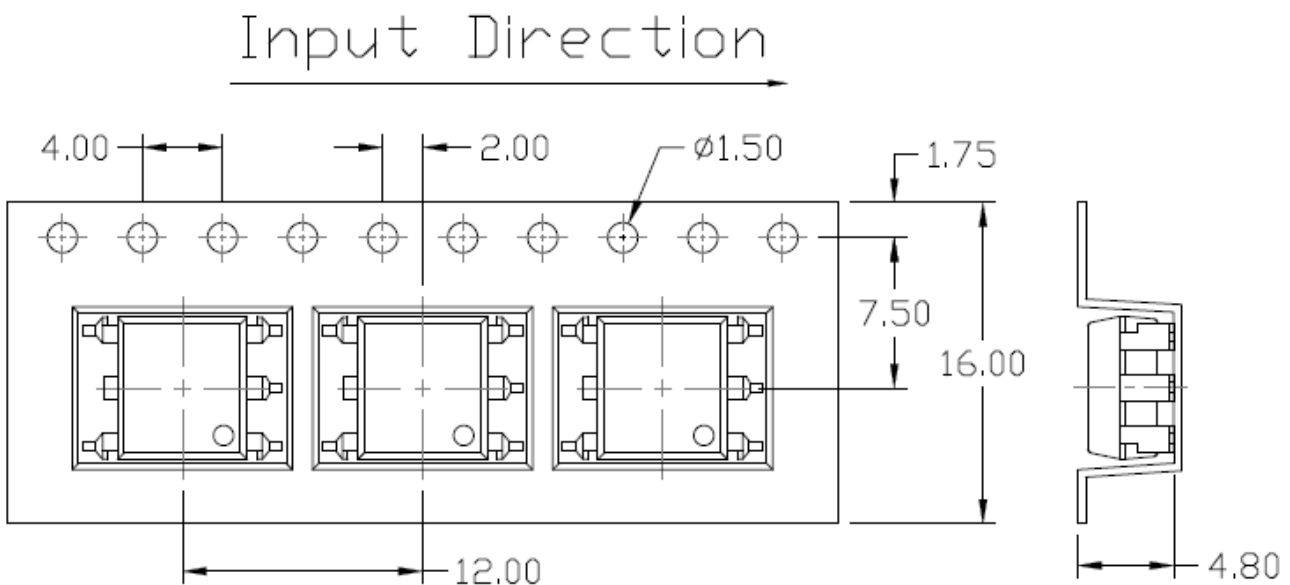


**Carrier Tape Specifications** *Dimensions in mm unless otherwise stated*

**Option S (T1) & SL (T1)**



**Option S (T2) & SL (T2)**





### Solderability spec (follow the JEDEC standard JESD22-B102)

Reflow Soldering: Immersed surface, other than the end of pin as cut-surface, must be covered by solder.

Solder-Bath: More than 95% of the electrode must be covered with solder.

### Wave soldering (follow the JEDEC standard JESD22-A111)

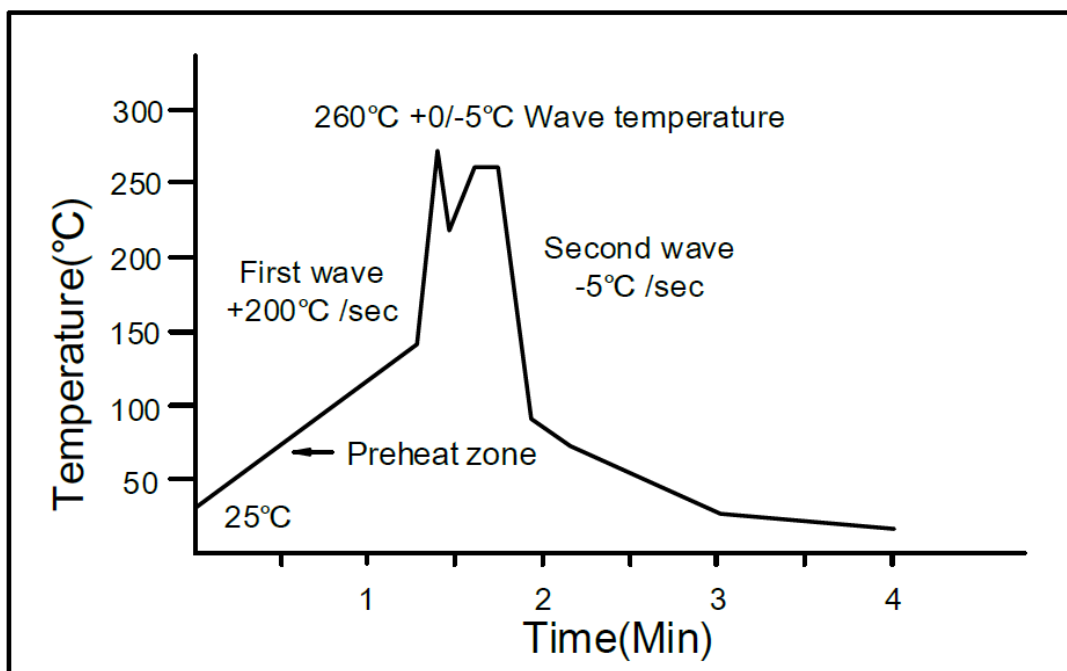
One time soldering is recommended within the condition of temperature.

Temperature:  $260 \pm 5^\circ\text{C}$ .

Time: 10 sec.

Preheat temperature: 25 to  $140^\circ\text{C}$ .

Preheat time: 30 to 80 sec.



### Iron Soldering (follow the standard MIL-STD 202G, Method 210F)

Allow single lead soldering in every single process.

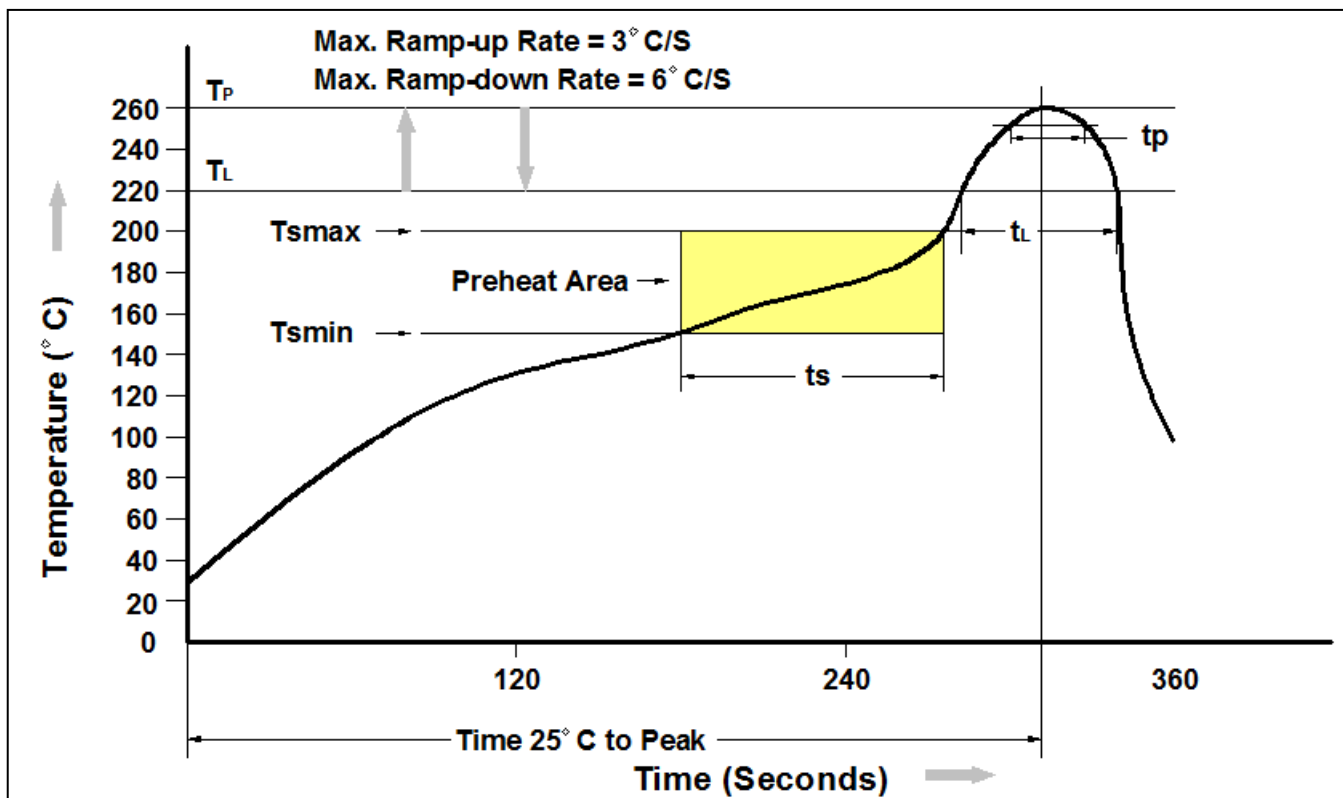
One time soldering is recommended.

Temperature:  $350 \pm 10^\circ\text{C}$

Time: 5 sec max.



**Reflow Profile (follow the JEDEC standard J-STD-020)**



Profile Feature	Pb-Free Assembly Profile
Temperature Min. (T <sub>smin</sub> )	150°C
Temperature Max. (T <sub>smax</sub> )	200°C
Time (t <sub>s</sub> ) from (T <sub>smin</sub> to T <sub>smax</sub> )	60-120 seconds
Ramp-up Rate (t <sub>L</sub> to t <sub>P</sub> )	3°C/second max.
Liquidous Temperature (T <sub>L</sub> )	217°C
Time (t <sub>L</sub> ) Maintained Above (T <sub>L</sub> )	60 – 150 seconds
Peak Body Package Temperature	260°C +0°C / -5°C
Time (t <sub>P</sub> ) within 5°C of 260°C	30 seconds
Ramp-down Rate (T <sub>P</sub> to T <sub>L</sub> )	6°C/second max
Time 25°C to Peak Temperature	8 minutes max.



---

## DISCLAIMER

**DMC-Isolator® IS A TRADEMARK OF CT MICRO INTERNATIONAL CORPORATION AND/OR ITS SUBSIDIARIES. CT MICRO OWNS THE RIGHTS TO A NUMBER OF PATENTS, TRADEMARKS, COPYRIGHTS AND OTHER INTELLECTUAL PROPERTY.**

---

**CT MICRO RESERVES THE RIGHT TO MAKE CHANGES WITHOUT FURTHER NOTICE TO ANY PRODUCTS HEREIN TO IMPROVE RELIABILITY, FUNCTION OR DESIGN. CT MICRO DOES NOT ASSUME ANY LIABILITY ARISING OUT OF THE APPLICATION OR USE OF ANY PRODUCT OR CIRCUIT DESCRIBED HEREIN; NEITHER DOES IT CONVEY ANY LICENSE UNDER ITS PATENT RIGHTS, NOR THE RIGHTS OF OTHERS.**

---

**DISCOLORATION MIGHT OCCUR ON THE PACKAGE SURFACE AFTER SOLDERING, REFLOW OR LONG TERM USE. THIS DOES NOT IMPACT THE PRODUCT PERFORMANCE NOR THE PRODUCT RELIABILITY.**

---

**CT MICRO ARE NOT AUTHORIZED FOR USE AS CRITICAL COMPONENTS IN LIFE SUPPORT DEVICES OR SYSTEMS WITHOUT EXPRESS WRITTEN APPROVAL OF CT MICRO INTERNATIONAL CORPORATION.**

- 1. Life support devices or systems are devices or systems which, (a) are intended for surgical implant into the body, or (b) support or sustain life, or (c) whose failure to perform when properly used in accordance with instruction for use provided in the labelling, can be reasonably expected to result in significant injury to the user.*
- 2. A critical component is any component of a life support device or system whose failure to perform can be reasonably expected to cause the failure of the life support device or system, or to affect its safety or effectiveness.*