

PHOTO COUPLER POWER SUPPLY / CHARGER / INVERTER / BMS APPLICATION

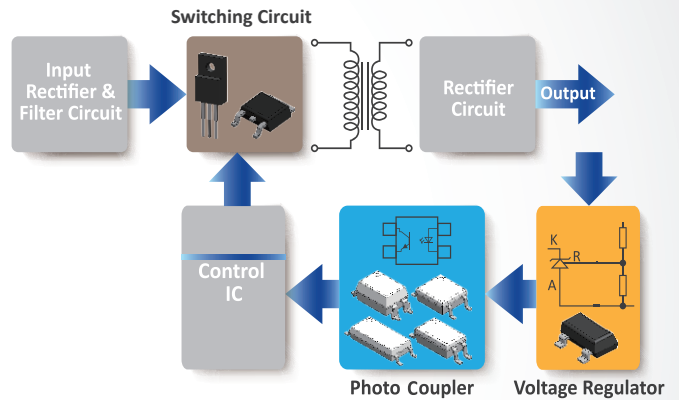
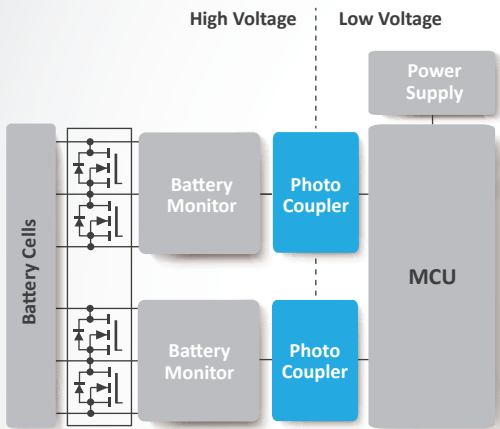
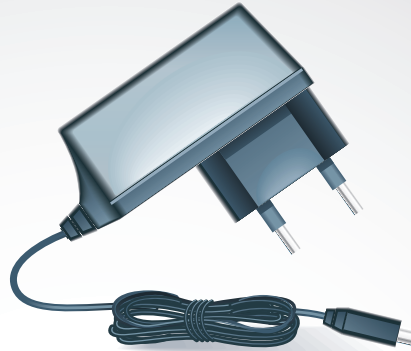
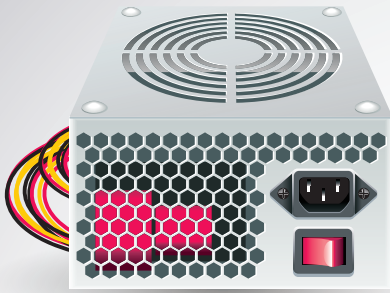


PHOTO COUPLER

Product Name	Package	V _{ISO} (rms) (V)
CT816	DIP-4*	5000
CT817	DIP-4*	5000
CT357	Full Pitch MFP-4L	3750
CTH217	Half Pitch MFP-4L	3750
CT1010-W, CT1011-W, CT1012-W, CT1013-W, CT1014-W, CT1015-W, CT1016-W, CT1017-W, CT1018-W, CT1019-W.	Long Creepage-4L	5000

Note: *Different lead forming options available.

VOLTAGE REGULATOR

Product Name	Package
CT431L	SOT-23
CT432	SOT-23

SWITCHING CIRCUIT

Product Name	Package
CTV0270NS	TO-220F
CTV0470NS	TO-220F, TO-252
CTV0670NS	TO-220F, TO-252
CTV0265NS	TO-220F, TO-252
CTV0465NS	TO-220F, TO-252
CTV0865NS	TO-220F
CTV0260NS	TO-220F, TO-252
CTV0460NS	TO-220F, TO-252
CTV1060NS	TO-220F
CTV1260NS	TO-220F
CTV0150NS	TO-220F, TO-252
CTV0350NS	TO-220F, TO-252
CTV0450NS	TO-220F, TO-252
CTV0550NS	TO-220F, TO-252

GENERAL PURPOSE COUPLER

Product Name	Package	V _{ISO} (rms) (V)
CT816	DIP-4*	5000
CT817	DIP-4*	5000

Note: *Different lead forming options available.

GATE DRIVER

Product Name	Package	V _{ISO} (rms) (V)
CT3120	DIP-8*	5000
CT3150	DIP-8*	5000
CTS700	SDIP-6	5000
CTS701	SDIP-6	5000

Note: *Different lead forming options available.